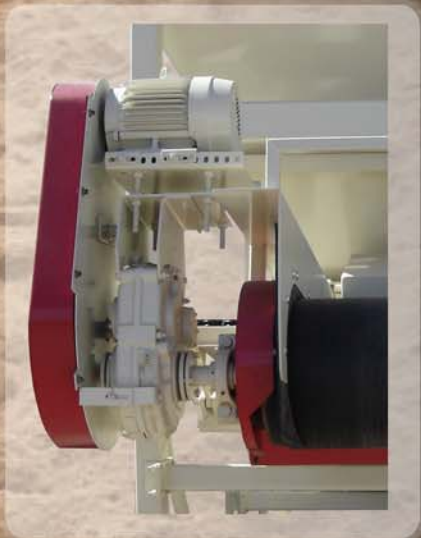




# 36 SBF

# 36 SBF



**MACHINERY LTD.**

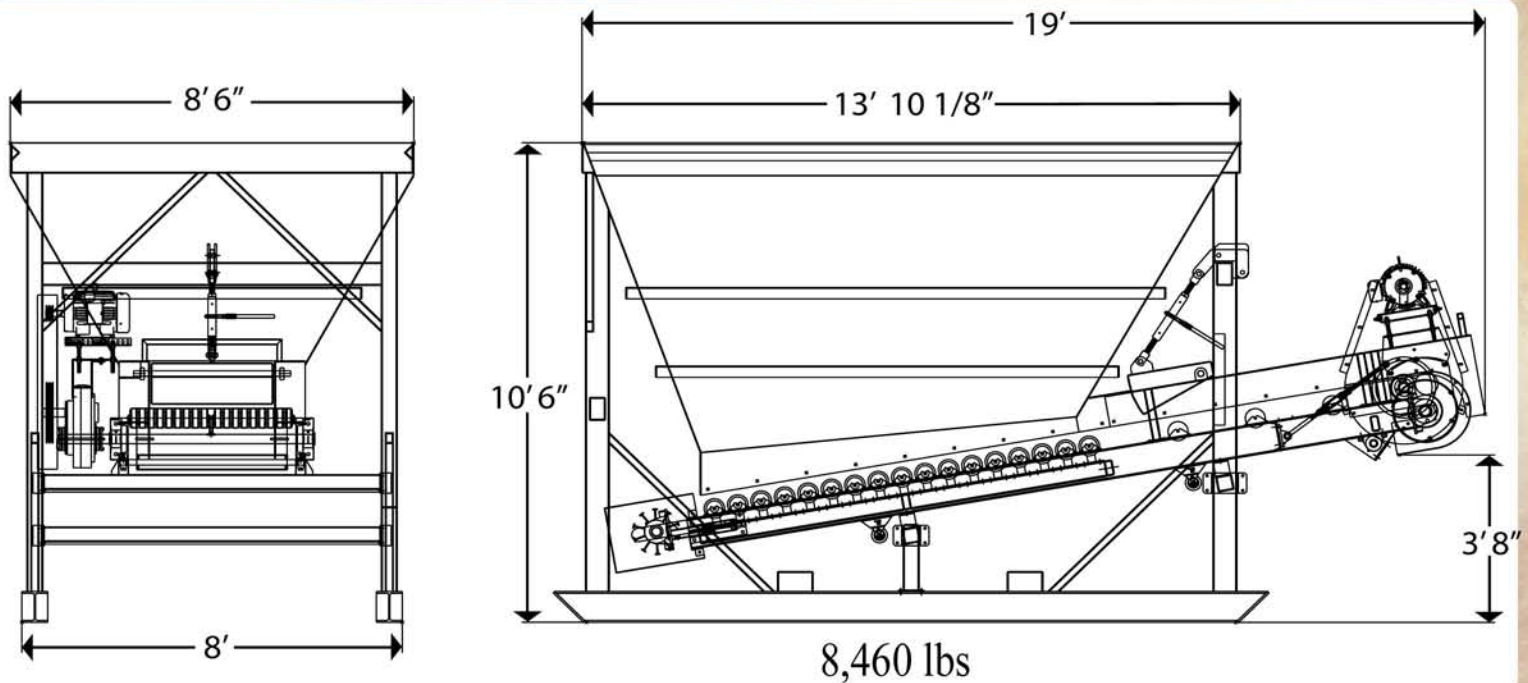
Toll Free (800) 858-4002

Office (806) 335-1553

Fax (806) 335-3949

[www.excelmach.com](http://www.excelmach.com)

# Excel Single Bin Cold Feed



## Specifications

- ◆ 36" Belt Feeder
- ◆ 16" Lagged Head & 12" Winged Tail Pulley
- ◆ Heavy Duty Sealed Bearing Impact Idlers
- ◆ Dodge TXT625T Reducer
- ◆ 10 HP Electric Motor
- ◆ Helmet Gate
- ◆ Optional Grizzly Section
- ◆ 17 Ton Capacity
- ◆ 600 TPH
- ◆ Improved Discharge Height

Design and specifications are subject to change without notice. ◆ Design features may be covered by patents and/or patents applied for.



**EXCEL  
MACHINERY LTD.**

Toll Free (800) 858-4002  
Office (806) 335-1553  
Fax (806) 335-3949  
[www.excelmach.com](http://www.excelmach.com)