



Make your product more profitable with the speed, dependability, and quality of a...

PORT-A-PUG

By Excel



The engineering and design specialists at Excel have developed a mixing system that is second to none. With the Port-A-Pug everyone wins. The customer and the contractor can know for certain that whether they need RCC, cement stabilized base, asphalt cold mix, or a combination of other products, the Port-A-Pug can produce these products with complete and documented accuracy. Port-A-Pug simply uses PLC technology combined with belt scales and liquid metering systems to control and document the end product. Interlocking each material virtually guarantees a more consistent material than conventional mixing systems.

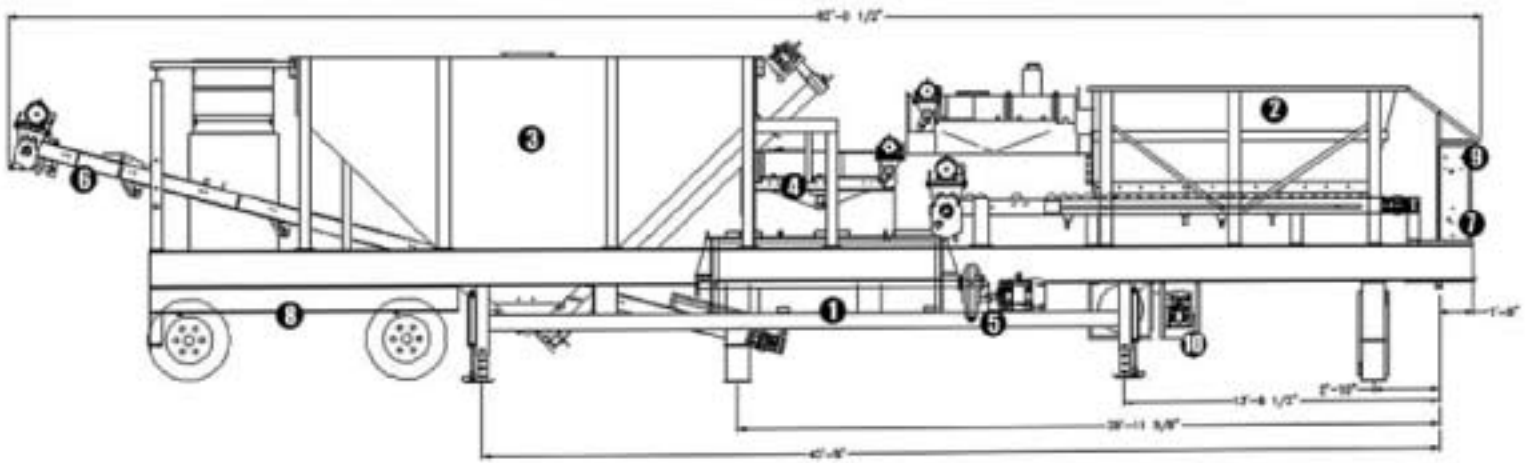


**EXCEL
MACHINERY
LTD.**

**PO BOX 31118
AMARILLO, TX
79120**

**1-800-858-4002
PH: 806-335-1553
FX: 806-335-3949**

www.excelmach.com



PLANT SPECIFICATIONS

1. Heavy duty 5'x10' twin shaft pugmill with (2) 60 HP electric motors.
2. 12 cubic yard feed hopper with 48" variable speed feed belt and belt scale.
3. 940 cubic ft silo with pneumatic fill tube and (2) 9" variable speed discharge augers.
4. 30" additive weigh belt feeder.
5. 2" water meter with pump, valves, and spray bars.
6. 30" variable height rear discharge conveyor, folds for transporting.
7. Mix ratio, output, and motors are all controlled with a Programmable Logic Controller
8. 56' tandem axle chassis with air ride suspension
9. Electrical panel (requires 200 kw, 3 phase, 480 volt, 60 hz power source)
10. 25 HP electric air compressor

SUPPORT OPTIONS

Multiple Dry and Liquid Additives
Asphalt and Emulsion Packages

Multiple Aggregates
4 Hydraulic Legs

Made in the U.S.A

LEASE PLANS AVAILABLE

**DON'T WASTE VALUABLE MATERIAL!
KNOW WHAT YOU'RE GETTING WITH
THE EXCEL PORT-A-PUG!!!**

EXCEL MACHINERY LTD.

PO BOX 3118; AMARILLO, TX 79120

1-800-858-4002

PH: 806-335-1553

FX: 806-335-3949

www.excelmach.com

