

# Stackable Conveyors



**Easier Transport**

**30" X 60' Stackables** give you **PRODUCTION** and **MOBILITY** at a **LOW COST**. EXCEL can supply standard conveyors or design a system for your specific needs. **CALL US** and find out how EXCEL conveyors can simplify your job.



**Heavy Duty**



**Portable**



**Excel Machinery Ltd.**

(800) 858-4002

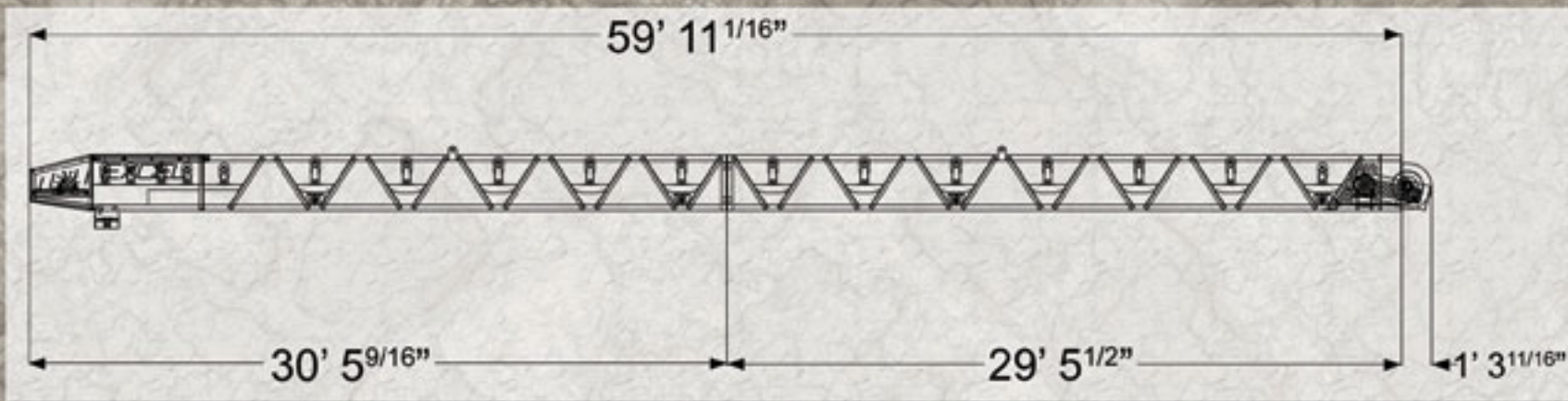
(806) 335-1553

Fax: (806) 335-3949

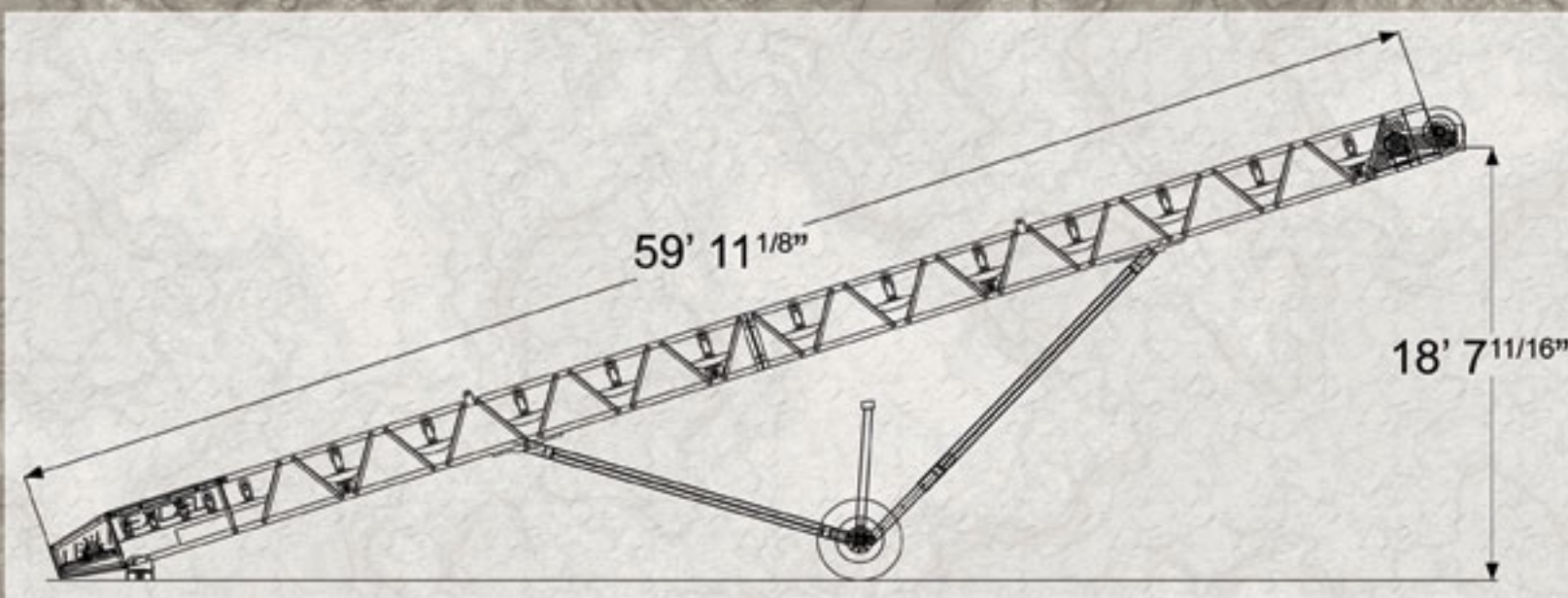
P.O. Box 31118

Amarillo, TX 79120

[www.excelmach.com](http://www.excelmach.com)



**30x60  
Lattice  
Stackable  
Conveyor**



**30X60  
Lattice  
Stackable  
Radial  
Conveyor**

## Specifications

	TPH	Structure	U/Carriage	Motor Size	Reducer	H.Pulley	T. Pulley	Shaft	FPM
30X60 LS & 30X60 LSR	250-400	3\"X3\"X1/4\"	4\"X6\" tubing	15 HP	TXT 415	16\" lagged	12\" Wing	2 7/16\"	365

Design and specifications are subject to change without notice. - Design features may be covered by patents issued and/or patents applied for.



**Excel Machinery Ltd.**

(800) 858-4002

(806) 335-1553

Fax: (806) 335-3949

P.O. Box 31118

Amarillo, TX 79120

[www.excelmach.com](http://www.excelmach.com)